

jireh-industries.com
S/N: 129391
Model Number: CKS007



Single probe ODI

Single Probe Features

Quick Adjust Clamp

- Affix any probe/wedge to the ODI with ease (no tools required).

Condensed Scan Size

- Useful during limited access inspection as the small size allows for unique scanning opportunities.

Encoder

- Precise encoded output is compatible with all standard instruments.

Alternate Encoder Positions

- Position the encoder at 0° or 90° to accommodate different clamping arrangements. The spring loaded wheel ensures positive contact with the inspection surface.

Probe/Wedge Comparability

- The ODI functions well with nearly all probes and wedges of all shapes and sizes.



Two probe ODI

Dual Probe Features

Two Probes

- Accommodates two TOFD probes to conduct weld scans. The ODI II may also be used to perform single probe scans when required.

Ease of Use

- Simple probe/wedge attachment with no tools required

Versatile

- Hand-held operation allows for unique scanning opportunities. Limited access inspection is possible due to the device's small size and maneuverability.

Encoder

- The precision mini encoder can be placed along the frame bar while the spring action maintains constant encoder wheel contact.

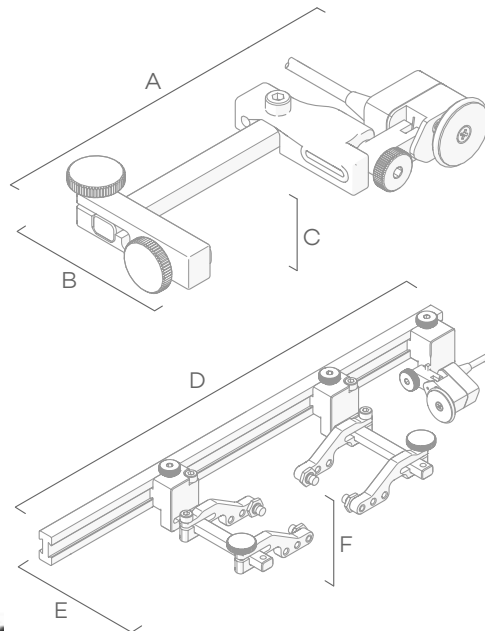
Weight and Dimensions

ODI Weight

- Single Probe 0.2 kg (0.4 lb)³
- Dual Probe 0.45 kg (1 lb)³

ODI Dimensions

- A Length 11.9 cm (4.7 in)
- B Width 2.4 cm (0.9 in)
- C Height 5.3 cm (2.1 in)
- D Length 30 cm (11.8 in)
- E Width 8.7 cm (3.4 in)
- F Height 4.3 cm (1.7 in)



Single probe ODI with the encoder mounted to the side of the clamp

Environmental Specifications

Operating Environment

- 20° C (-4° F) to 50° C (122° F)

Environmental Sealing

- Dust tight, waterproof²



Dual probe ODI with TOFD probes mounted

Specifications

Maximum Clamp Width

- Single Probe 55 mm (2.16 in)⁴
- Dual Probe 50 mm (1.97 in)⁵

Encoder Wheel Diameter

- 20.6 mm (0.81 in)

Encoder Resolution

- 16.00 counts/mm (406.4 counts/inch)

Encoder Cable Length

- Single Probe 2.5 m (8 ft)⁶
- Dual Probe 5 m (16.4 ft)⁶

Inspection Surface

- Ferrous and non-ferrous

Single probe ODI with phased array wedge

- Advanced adjustment may require included tools.
- Not submersible
- Measurement subject to encoder end installed.
- Various lengths of slider arms are available.
- Various lengths of clamp arms are available.
- Custom encoder cable lengths are available.